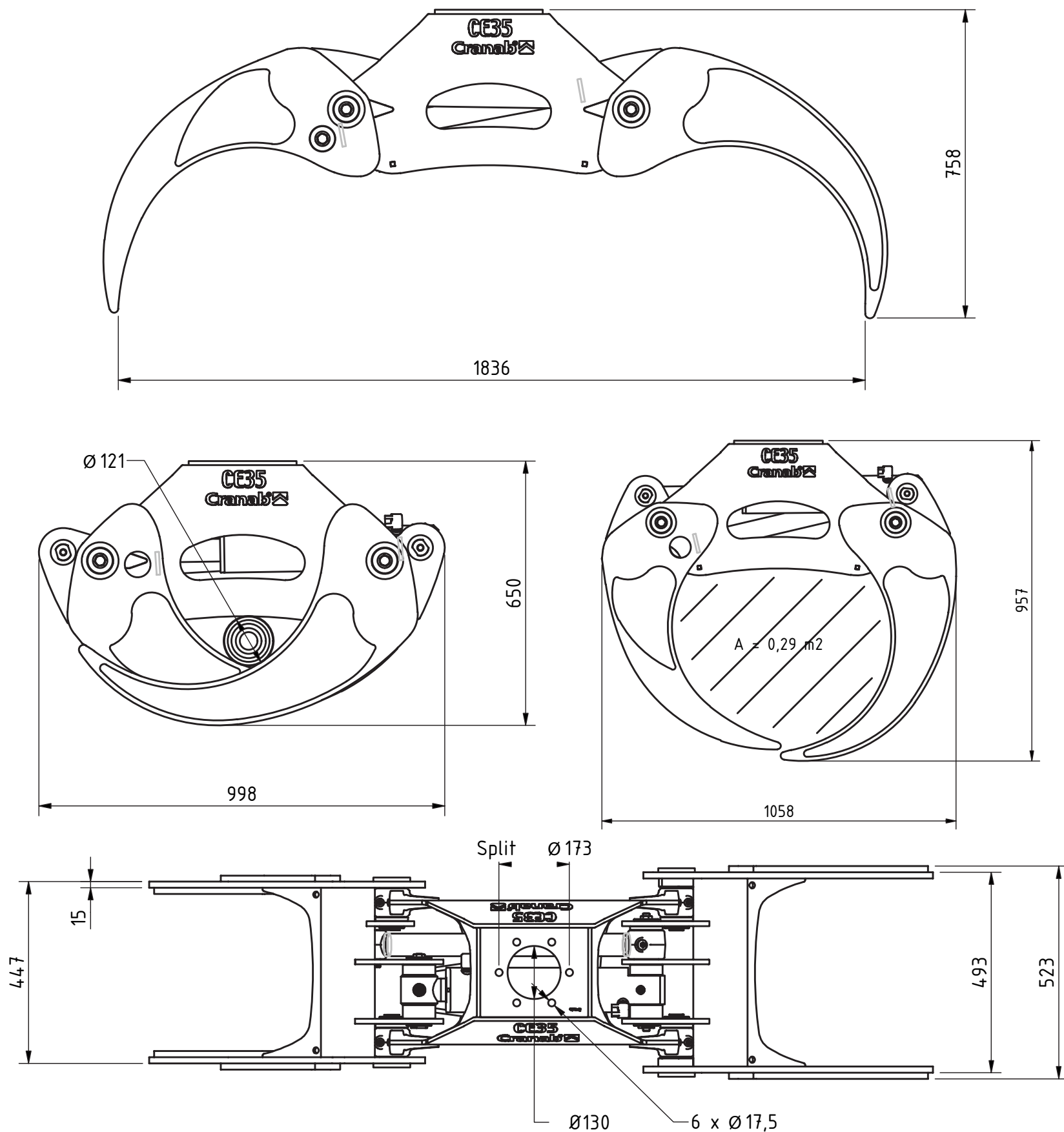


Cranab

CE35



Technical Specifications

MAXIMUM WORKING PRESSURE	FLOW	MAXIMUM LIFT CAPACITY	WEIGHT
25 MPa	40-70 l/min	4000 kg	265 kg